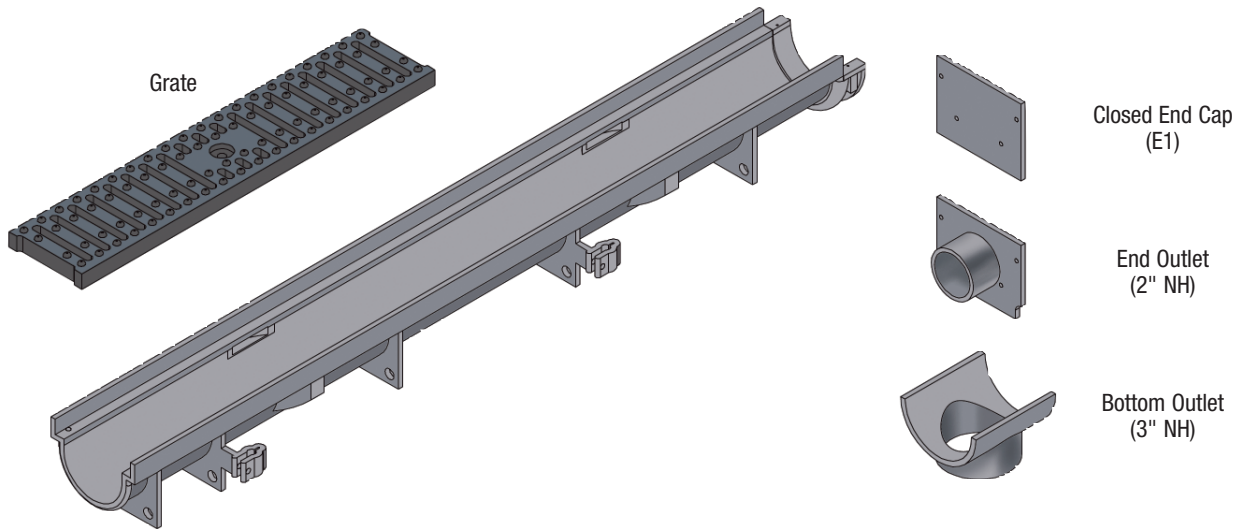


# Z884 Perma-Trench 4-3/4" Shallow Drain System

2



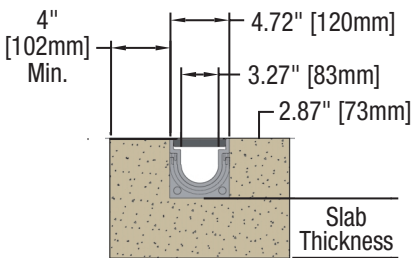
## Z884 Applications

- Sidewalks
- Parking Garages
- Gas Stations
- Kitchens
- Pools
- Residential

## Features and Benefits

- 40" Modular Channel Sections with 20" Grates
- Smooth Seamless Construction – Clean, sanitary installation.
- Durable and Lightweight – Strong corrosion-resistant material.
- 2-7/8" Trench Depth – For depth restricted applications.
- Variety of Gratings – Able to meet specific job requirements.
- Grate Options – Available in ADA.
  - CG Cast Iron Grate
  - FG Fabricated Galvanized Steel Slotted Grate
  - FS Fabricated Stainless Steel Slotted Grate
  - HPP Heel-proof Polyethylene Grate
  - PG Perforated Galvanized Steel Grate
  - PS Perforated Stainless Steel Grate

## Installation Specification



3-1/4" Throat / 4-3/4" Overall Width

**Engineering Specification** Channels shall be 40" long, 4-3/4" wide, and have a 3-1/4" wide throat. Modular channel sections shall be made of High Density Polyethylene (HDPE), have interlocking ends, and radiused bottom. Channel shall be provided flat (neutral) with a 2.875" invert. Channels shall have clips molded into the sides of the channel to accommodate vertical rebar for positioning and anchoring purposes. Choice of class A, B, and C grates shall be available with H-20 and/or ADA compliance with mechanical lockdown devices. End caps and catch basins shall be available to complement the channels and grates. End outlets in 2" diameter and bottom outlets in 3" diameter shall be available. Trench drain shall be Flo-Thru model Z884.

## Z884 Dimensional Data

Number	Overall Depth		Approx. Wt. (Less Grate)	
	Inches	mm	Lbs.	Kg
884	2.875	73	2.3	1.04