



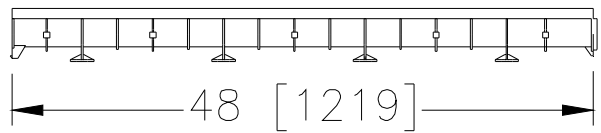
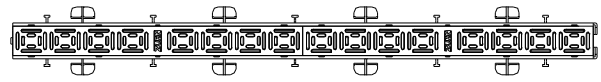
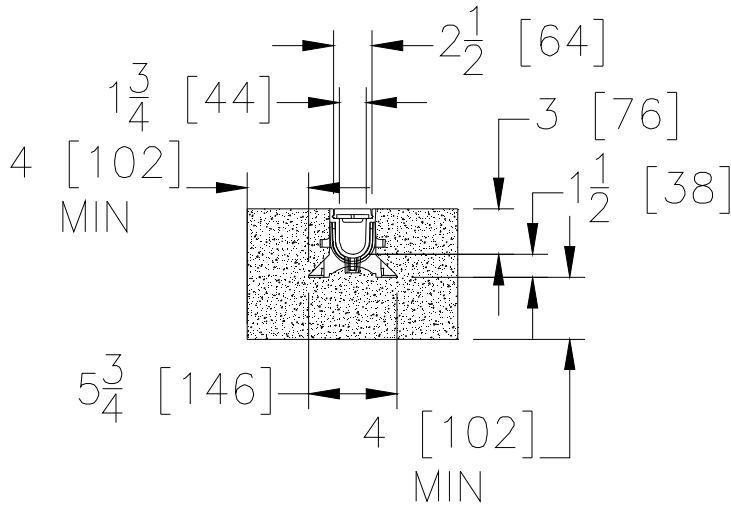
Z880

2 1/2 [64] WIDE REVEAL TRENCH DRAIN SYSTEM

TAG _____

Dimensional Data (inches and [mm]) are Subject to Manufacturing Tolerances and Change Without Notice

SPECIFYING ENGINEER IS RESPONSIBLE FOR CONCRETE ENCASEMENT AND REINFORCING BASED UPON APPLICATION AND LOCAL CODES



ENGINEERING SPECIFICATION: Zurn Z880 2 1/2 [64] Wide Trench Drain System shall be 48 [1220] long and 2 1/2 [63.5] wide. Drain shall be 3 [76] deep. Drain shall be made of (HDPE) High Density Polyethylene, and is UV-10 stabilized. Drain shall have bedding feet to be used for positioning and anchoring purposes. Drain shall have tongue and groove snap fit connection. Drain shall have 24 [610] long high-density polyethylene decorative grate (-POG) provided as standard.

PREFIX OPTIONS (Check/specify appropriate options)

Z Four-foot, Linear High Density Polyethylene (HPDE) Modular Drain Channel*

SUFFIX OPTIONS (Check/specify appropriate options)

Outlet Adapters Add/Each

-E1 Closed End Cap -U1.5 1-1/2 [38] No-Hub Bottom Outlet
 -E1.5 1-1/2 [38] No-Hub End Outlet

Grate Options (Load Classifications are per DIN EN1433)

- AWG Aluminum Wire Grate - Class A
- BZ Bronze Decorative Grate - Class A
- POG Heel-Proof Polyethylene Grate - Class A *
- SOG Stainless Steel Decorative Grate
- SWG Stainless Steel Wire Grate - Class A

Miscellaneous Options

- C45 45 Degree Channel
- C90 90 Degree Channel
- G45 45 Degree Plastic Grate
- G90 90 Degree Plastic Grate
- SS45 45 Degree Channel and Stainless Steel Grate
- SS90 90 Degree Channel and Stainless Steel Grate

*REGULARLY FURNISHED UNLESS OTHERWISE SPECIFIED

REV. A	DATE: 07/03/13	C.N. NO. 129577
PROD./DWG. NO. Z880		