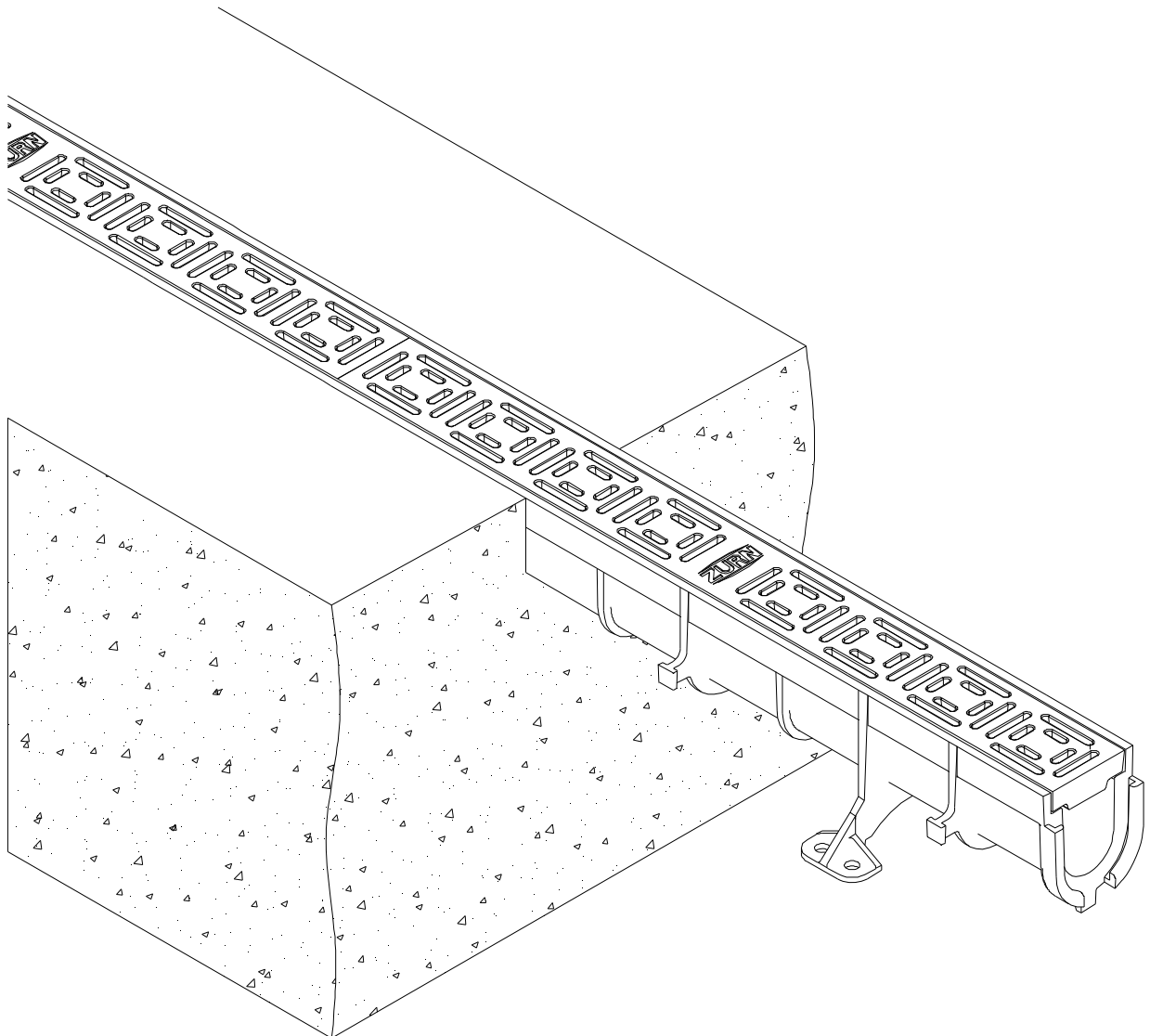




Z-880 SHALLOW TRENCH DRAIN SYSTEM™

INSTALLATION INSTRUCTIONS



ZURN INDUSTRIES, INC., FLO-THRU DIV., 2855 Girls Road, Jamestown, NY 14701

Phone: 716/665-1132, Fax: 716/665-1135, World Wide Web: www.zurn.com

In Canada: ZURN INDUSTRIES LIMITED, 3544 Nashua Drive, Mississauga, Ontario L4V1L2, Phone: 905/405-8272 Fax: 905/405-1292

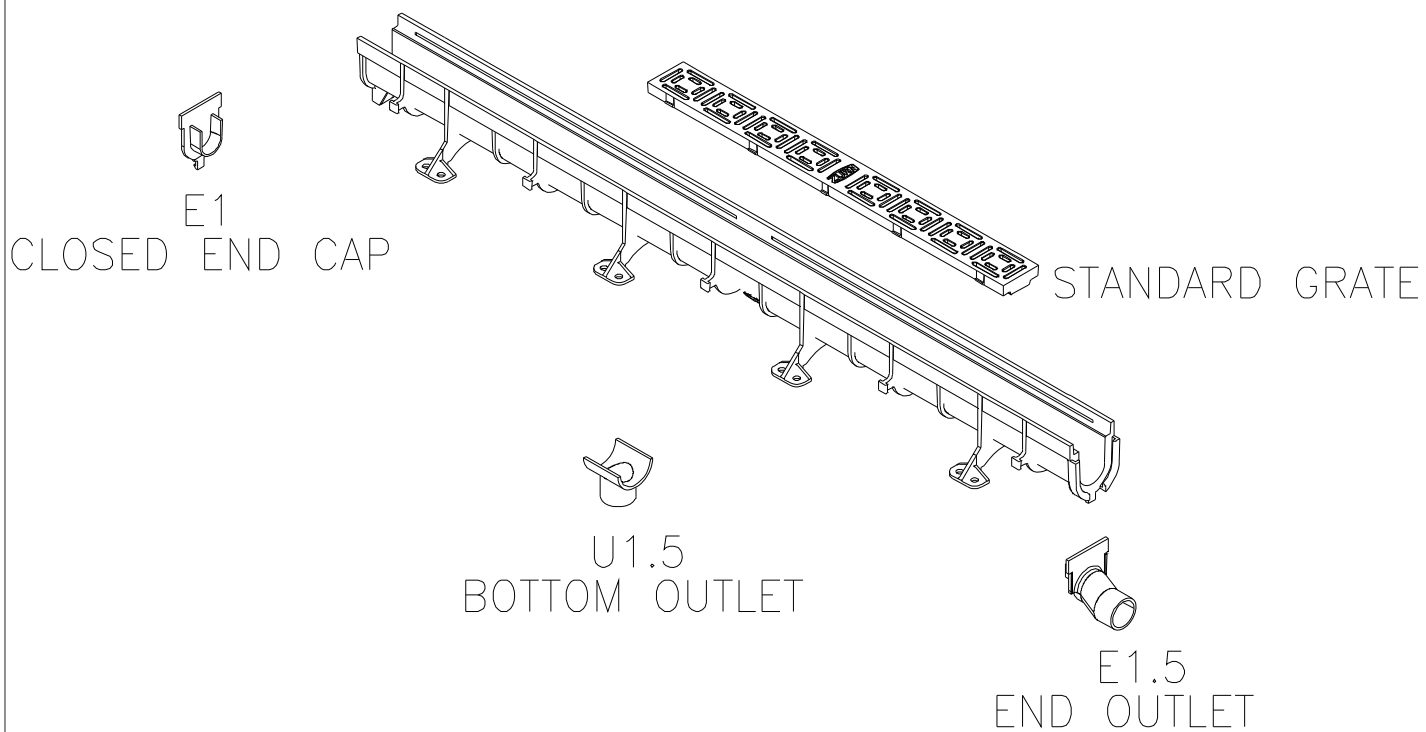
Form # FT902 Date: 04/05/06

C.N. No. 101926 Rev.

Z-880

ACCESSORIES

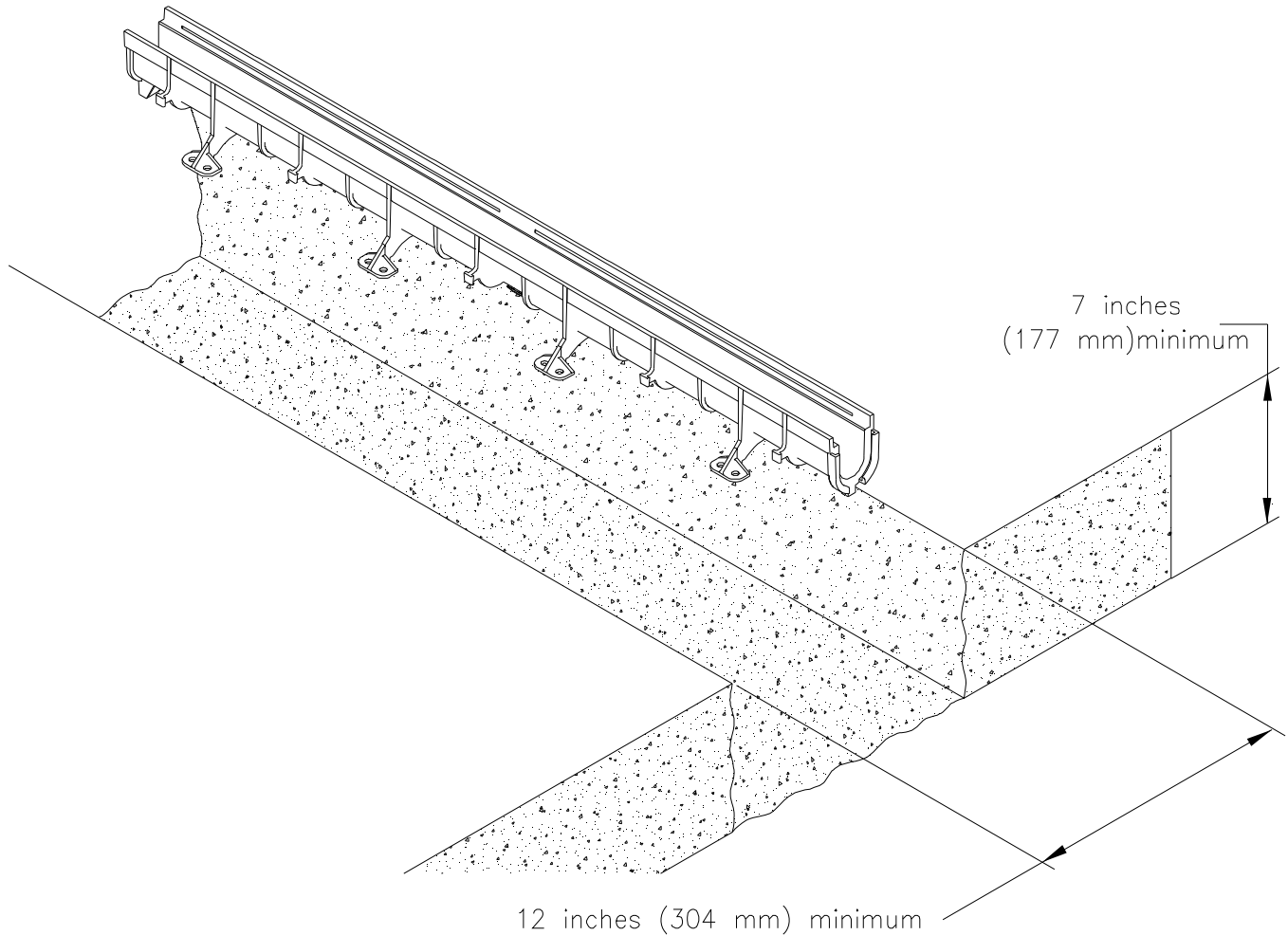
Z-880
TRENCH DRAIN



Above are some of the trench drain components typical to an installation. Double check your order to ensure that you have all components particular to your job before beginning your installation.

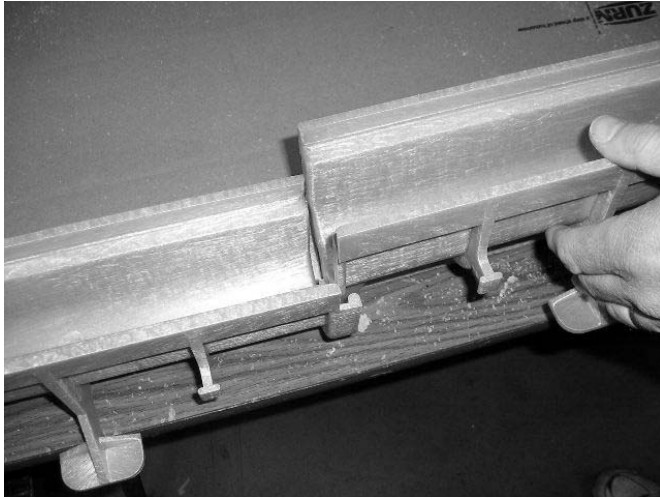
Contact Zurn 'Flo-Thru' at 716-665-1132 should additional material be required.

EXCAVATION



Trench excavation must be 4 inches greater than the trench depth and a minimum of 4 inches greater than the edge of the trench on each side. Soft and/or shifting soil substrates may cause cracking of the concrete and consequent movement of the trench. It is critical that the concrete be poured on an adequate foundation.

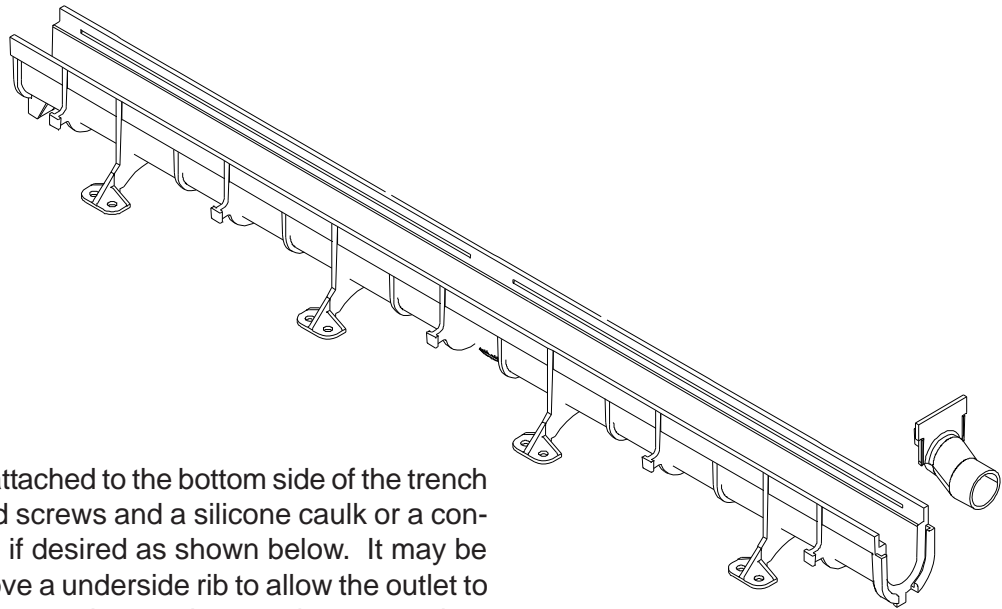
JOINT CONNECTION



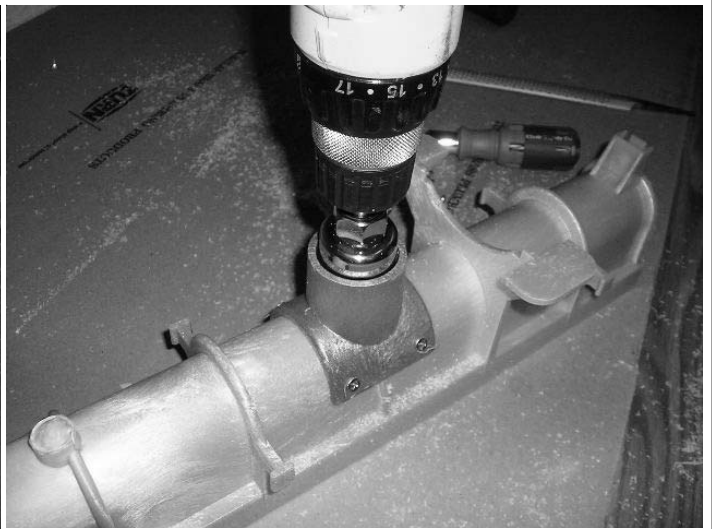
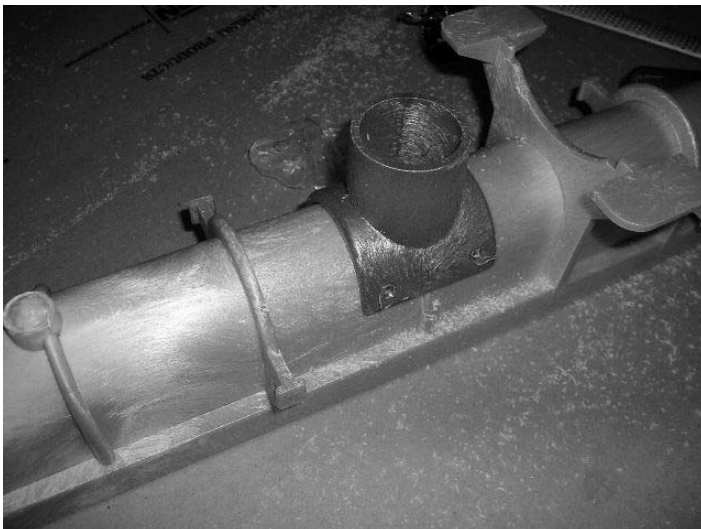
Assembling the trench run is easy using 'Flo-thru's' mechanical interlocking joints. Simply align the male end above the female end and slide together. The bottom interlock should snap together. A silicone caulk, or a construction adhesive, such as Liquid Nails, is recommended to be used at each joint as a sealer.

OUTLETS & ACCESSORIES

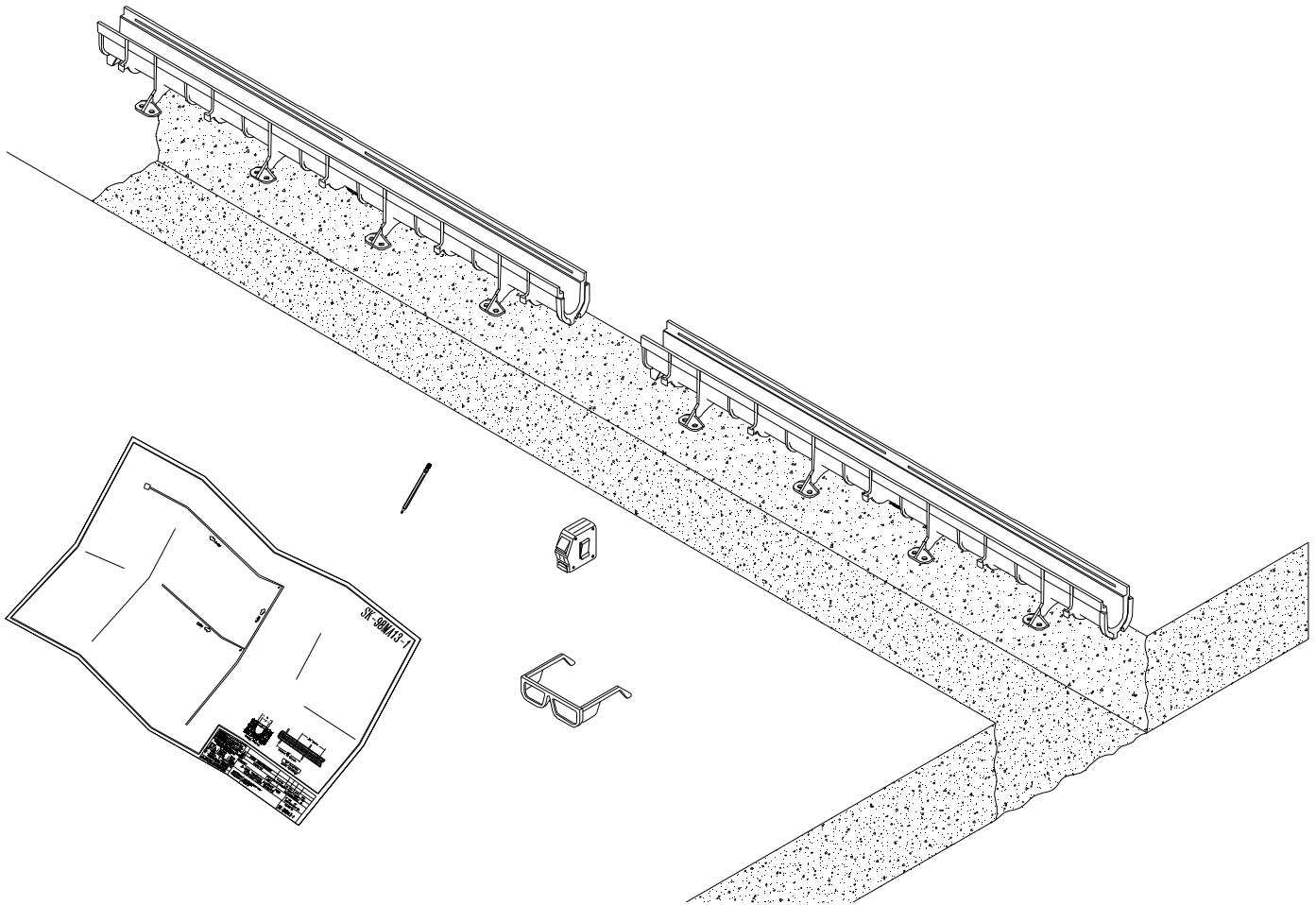
To attach an end outlet or end cap, cut trench to desired length if necessary and attach with provided screws and a silicone caulk or a construction adhesive if desired.



A bottom outlet is attached to the bottom side of the trench drain with provided screws and a silicone caulk or a construction adhesive if desired as shown below. It may be necessary to remove a underside rib to allow the outlet to sit flat. A hole saw can be used to cut the appropriate size hole through the bottom of the trench.

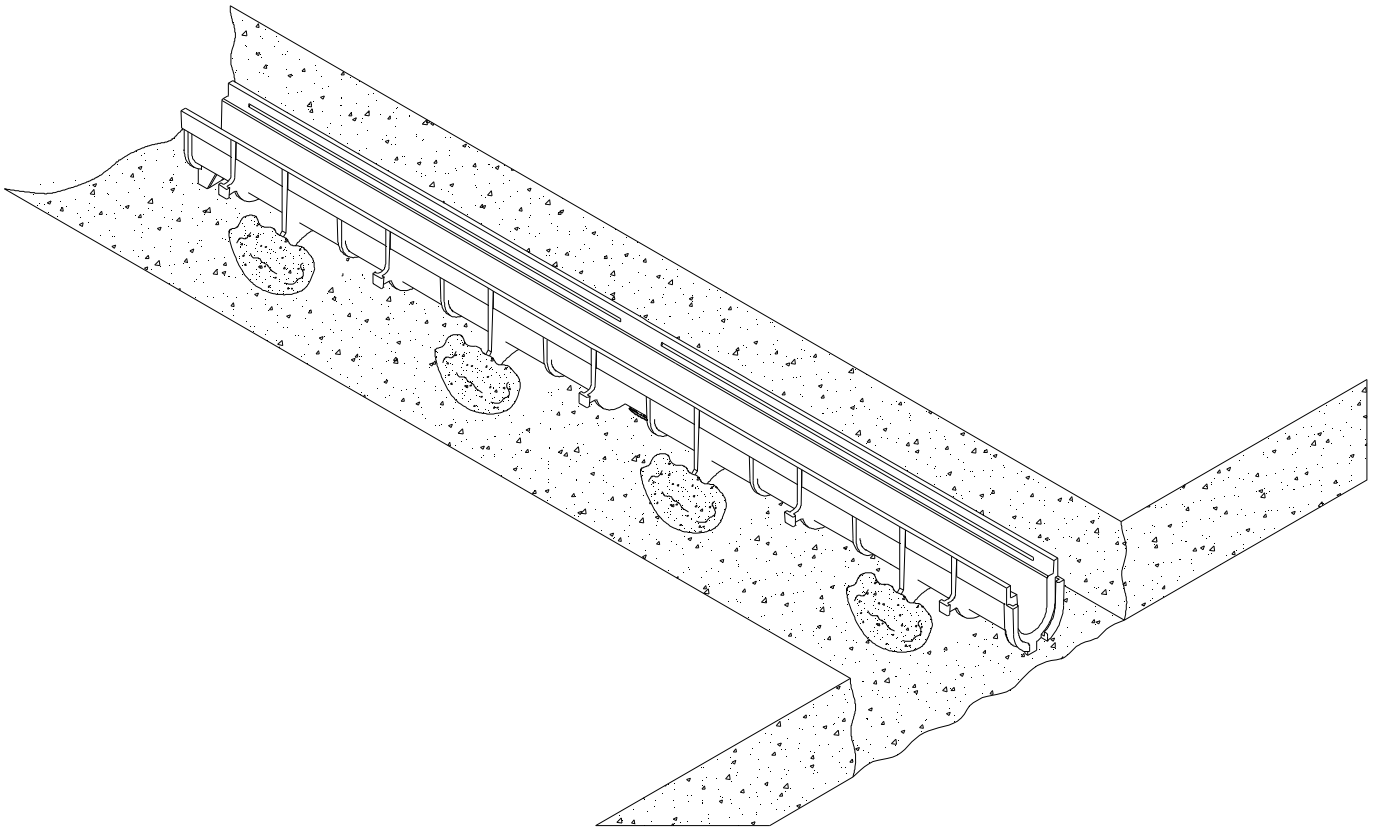


OVERALL LAYOUT



Upon completion of the trench excavation, the channels should be placed in order alongside the excavation and according to the job layout.

SETTING THE TRENCH



After attachment of accessories, anchor and level trench in the excavation using concrete patties around the feet. Make finish pour of concrete and be certain to properly vibrate concrete to eliminate any unwanted voids. Finish troweling should be done to set the top edge of the trench drain 1/16" below the floor grade. Remember to compensate for concrete shrink that may occur during cure so that the edge of the trench drain does not protrude above the finished floor grade.